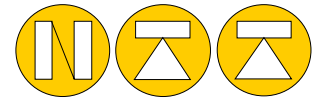


Pressure Transducers

TP3/400 REV.R3 - 03.10/PM70

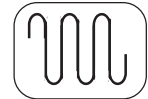
Type TP3



NORDIC TRANSDUCER



FOR DYNAMIC STRESS



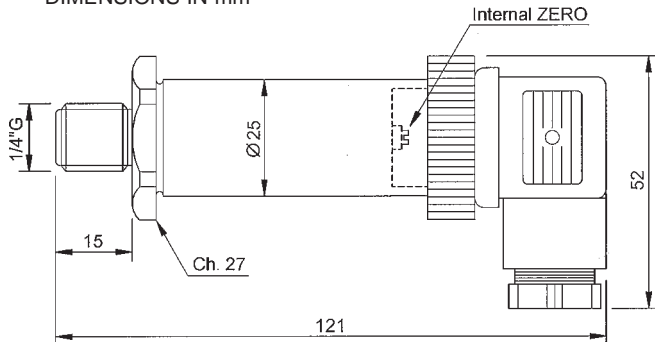
**RELATIVE FROM 0.5 ... 20 BAR
ABSOLUTE FROM 50 ... 2000 BAR**

**ELECTROMAGNETIC COMPATIBILITY TEST
REFERENCES NORMS:**

EN50081-1 AND EN50082-1

Accuracy < +/- 0.50%

DIMENSIONS IN mm



SPECIFICATIONS:

TEMPERATURE EFFECT PER 10°C	
a) on zero	< ±0.02%
b) on sensitivity	< ±0.02%
NOMINAL SENSITIVITY	
	4..20mA (2 wires) (Option 0..5V - 0...10V)
SUPPLY VOLTAGE	12/15-24V
SUPPLY VOLTAGE Max.	28V
MAX. ELECTRICAL INPUT:	
a) 2 wires	20mA
b) 3 wires (option)	30mA
LOAD RESISTOR:	
a) tension	min. 2k ohm
b) current	from 0 to 470 ohm
INSULATION RESISTOR	10 Gohm
ZERO BALANCING	± 10% adj.
RESPONSE FREQUENCY	0.5 - 5kHz
MECHANICAL LIMIT VALUES RELATED TO NOMINAL PRESSURE	
a) service pressure	100%
b) max. permissible pressure	150%
c) breaking pressure	>300%
d) high dynamic pressure	75%
REFERENCE TEMPERATURE	+23°C
SERVICE TEMPERATURE	-10 to +70°C
STORAGE TEMPERATURE	-20 to +80°C
CONNECTIONS	2 - 3 WIRE

Se next page

The sensitive part of these pressure transducers is manufactured from 17-4 pH tensile steel with very good mechanical parameters both for dynamic stresses, chemical and metallographic analysis.

The monolithic execution being free from any assembling with seal rings, joints and weldings, guarantees high stability to the measuring element with hysteresis and zero drift negligible in the long run.

The end of the transducer is resin capsulated and wholly micro-plasma welded, to guarantee top sealing and make it insensitive against any sort of vibration.

LINEARITY & HYSTERESIS < ±0.50%

RELATIVE PRESSURE (R)	
	0.5 - 1 - 2.5 - 5 - 10 - 20 BAR
ABSOLUTE PRESSURE (A) 50 - 100 - 250 - 350 - 500 - 700 - *1000 - *1500 - *2000 BAR	
STANDARD COUPLING 1/4" GAS BSP MALE *1/2" GAS BSP MALE	
TIGHTENING WRENCH	27mm
TIGHTENING TORQUE	28Nm
PROTECTION CLASS (DIN 40050)	IP65
SENSOR MATERIAL	INOX 17-4pH
ELECTRICAL CONNECTION	DIN 43650

OPTIONS:

RELATIVE CABLE 3m

PVC CABLE ABSOLUTE 5m

1 BAR = 14.695 PSI



Nordic Transducer

Als Odde, DK-9560 Hadsund Denmark

Tel.: +45 98581444, Fax.: +45 98581866

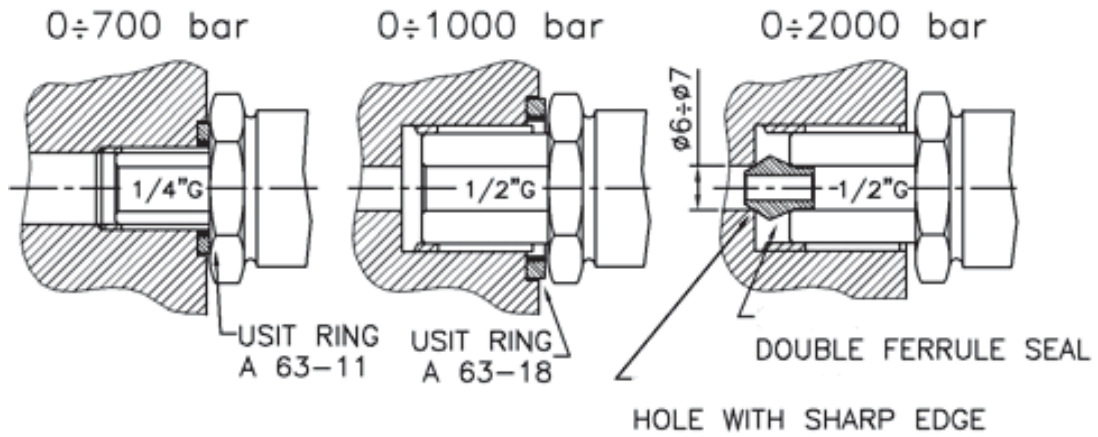
E-mail: transducer@ntt.dk WEB: www.ntt.dk

* Earth connected to pressure transducer body

Pressure Transducers

Type TP3

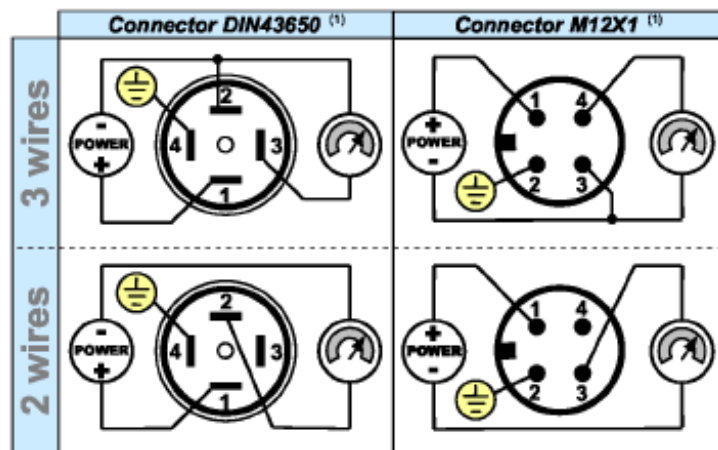
Typical Installation:



Electrical connections:

- 4-20mA 2 or 3 wire from 1 - 50 bar.
- 4-20mA 3 wire from 100 - 700 bar
- 0-5V or 0-10Volt 3 wire connection.
- Power supply: 4-20mA & 0-5V 12-24VDC
- 0-10V & 0.5Bar & 1Bar 15-24VDC

Connectors: DIN 43650 as standard or as option M12



⁽¹⁾ Zero Adjustment is accessible by unscrewing the nut

Connected to transducer body



Nordic Transducer

Als Odde, DK-9560 Hadsund Denmark
 Tel.: +45 98581444, Fax.: +45 98581866
 E-mail: transducer@ntt.dk WEB: www.ntt.dk