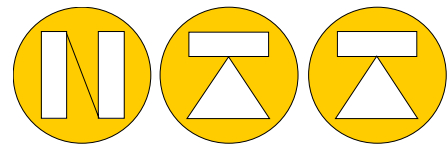


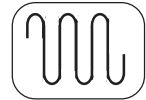
Pressure Transducers *Type TP15*

TP15/403 REV.03.02.10/PM70



NORDIC TRANSDUCER

**FOR DYNAMIC STRESS
PROTRUDING MEMBRANE
RELATIVE PRESSURE**



1 - 2.5 - 5 - 10 - 20 - 50 BAR

Vacuum range -1/0, -1/+1, -1/+2.5, -1/+5 B

ABSOLUTE PRESSURE

50 - 100 - 250 - 350 - 500 - 700 BAR

ELECTROMAGNETIC COMPATIBILITY TEST

REFERENCES NORMS:

EN50081-1 AND EN50082-1

Accuracy < +/- 0.50%

Outputs:

4-20mA 2 or 3 wire

0-5Volt or 0-10Volt

SPECIFICATIONS:

TEMPERATURE EFFECT PER 10°C

a) on zero < ±0.002%

b) on sensitivity < ±0.005%

NOMINAL SENSITIVITY

4..20mA (2 or 3 wires)

0..5V, 0...10V

SUPPLY VOLTAGE 12-24V

SUPPLY VOLTAGE Max. 28V

MAX. ELECTRICAL INPUT:

a) 2 wires 20mA

b) 3 wires 30mA

LOAD RESISTOR:

a) tension min. 2k ohm

b) current from 0 to 470 ohm

INSULATION RESISTOR 10 Gohm

ZERO BALACING ± 10% adj.

RESPONSE FREQUENCY from 0.5Hz to 5kHz

MECHANICAL LIMIT VALUES RELATED TO NOMINAL PRESSURE

a) service pressure 100%

b) max. permissible pressure 150%

c) breaking pressure >300%

d) high dynamic pressure 75%

REFERENCE TEMPERATURE +23°C

SERVICE TEMPERATURE -10 to +70°C

STORAGE TEMPERATURE -20 to +80°C

CONNECTIONS 3 WIRE 2 WIRE

Se options next page.

The sensitive part of these pressure transducers is manufactured from 17-4 pH tensile steel with very good mechanical parameters both for dynamic stresses, chemical and metallographic analysis.

The monolithic execution being free from any assembling with seal rings, joints and weldings, guarantees high stability to the measuring element with hysteresis and zero drift negligible in the long run.

The end of the transducer is resin capsulated and wholly micro-plasma welded, to guarantee top sealing and make it insensitive against any sort of vibration.

LINEARITY & HYSTERESIS < ±0.50%

RELATIVE PRESSURE (R)

0.5 - 1 - 2.5 - 5 - 10 - 20 bar

ABSOLUTE PRESSURE (A)

50 - 100 - 250 - 500 - 700 bar

STANDARD COUPLING 3/4" BSP MALE

TIGHTENING WRENCH 32mm

TIGHTENING TORQUE 28Nm

PROTECTION CLASS (DIN 40050) IP65

SENSOR MATERIAL INOX 17-4pH

ELECTRICAL CONNECTION DIN 43650 reduced

OPTIONS:

RELATIVE CABLE 3m

PROTECTION TO IP68 (DIN 40050)

PVC CABLE 5m

PROTECTION TO IP68 (DIN 40050)

VACUUM (V) RANGE: -1/+1, -1/+2.5, -1/+5 bar

1 BAR = 14.695 PSI



Nordic Transducer

Als Odde, DK-9560 Hadsund Denmark

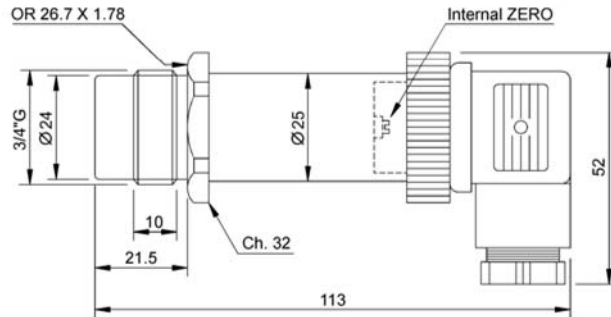
Tel.: +45 98581444, Fax.: +45 98581866

E-mail: transducer@ntt.dk WEB: www.ntt.dk

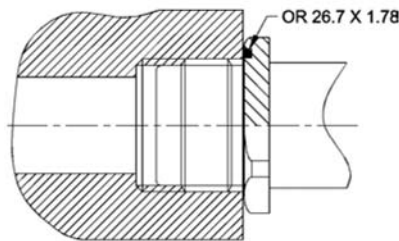
* EARTH connected to pressure transducer.

Pressure Transducers *Type TP15*

Dimensions and Installation:



Typical installation



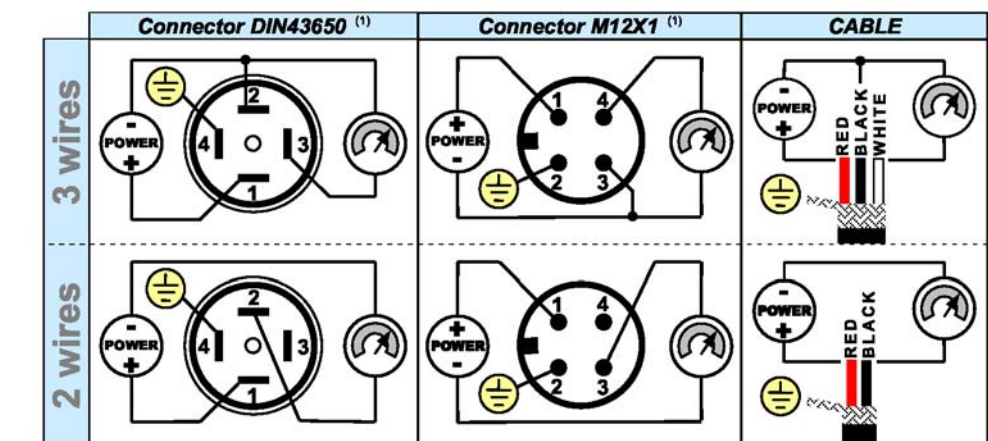
Electrical connections:

- 4-20mA 2 or 3 wire from 1 - 50 bar.
- 4-20mA 3 wire from 100 - 700 bar
- 0-5V or 0-10Volt 3 wire connection.

Connectors: DIN 43650 as standard or as option M12

Cable connection:

3m for relative pressure, 5m for absolute pressure



⁽¹⁾



ZERO ADJUSTMENT is accessible by unscrewing the nut

Connected to body of the pressure transmitter.



Nordic Transducer

Als Odde, DK-9560 Hadsund Denmark
 Tel.: +45 98581444, Fax.: +45 98581866
 E-mail: transducer@ntt.dk WEB: www.ntt.dk