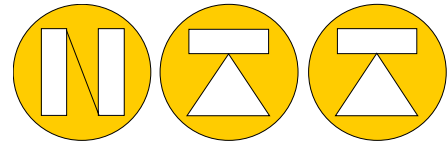


Pressure Transducers Type TP12

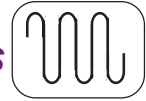
TP12/401 REV03.03.10/PM70



NORDIC TRANSDUCER

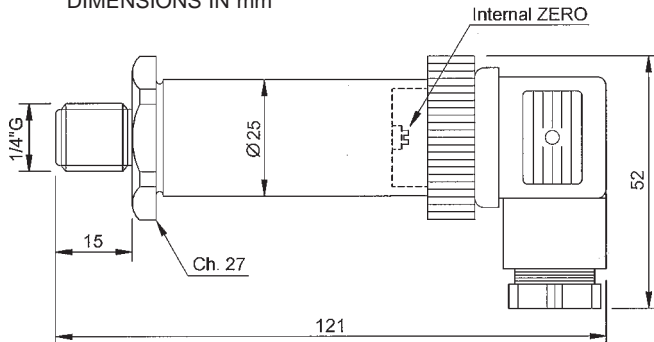


FOR HIGH DYNAMIC STRESS



**RELATIVE FROM 0.5 ... 20 BAR
ABSOLUTE FROM 50 ... 2000 BAR**

DIMENSIONS IN mm



ELECTROMAGNETIC COMPATIBILITY TEST

REFERENCES NORMS:

EN50081-1 AND EN50082-1

Accuracy < +/- 0.20%

SPECIFICATIONS:

TEMPERATURE EFFECT PER 10°C

- a) on zero <math>< \pm 0.015\%</math>
- b) on sensitivity <math>< \pm 0.015\%</math>

NOMINAL SENSITIVITY

- (2 wires) 4..20mA
- (3 wires) 4..20mA, 0..5V, 0..10V

SUPPLY VOLTAGE (10V = 15-24V) 12-24V

SUPPLY VOLTAGE Max. 28V

MAX. Electrical input: 2wire 20mA, 3wire 30mA

LOAD RESISTOR:

- a) tension min. 2k ohm
- b) current from 0 to 470 ohm

INSULATION RESISTOR 10 Gohm

ZERO BALANCING $\pm 10\%$ adj.

RESPONSE FREQUENCY from 1 to 5kHz

MECHANICAL LIMIT VALUES RELATED TO NOMINAL PRESSURE

- a) service pressure 100%
- b) max. permissible pressure 150%
- c) breaking pressure >300%
- d) high dynamic pressure 75%

REFERENCE TEMPERATURE +23°C

SERVICE TEMPERATURE -10 to +70°C

STORAGE TEMPERATURE -20 to +80°C

CONNECTIONS 2 WIRE 3 WIRE

Se next page

LINEARITY & HYSTERESIS <math>< \pm 0.20\%</math>

RELATIVE PRESSURE (R) 0.5-1-2.5-5-10-20 bar

ABSOLUTE PRESSURE (A)

50 - 100 - 250 - 500 - 700 - *1000 - *1500 - *2000

bar

STANDARD COUPLING 1/4" G MALE

*1/2" G MALE

TIGHTENING WRENCH 27mm

TIGHTENING TORQUE 28Nm

PROTECTION CLASS (DIN 40050) IP65

SENSOR MATERIAL INOX 17-4pH

ELECTRICAL CONNECTION DIN 43650

Nordic Transducer

Als Odde, DK-9560 Hadsund Denmark

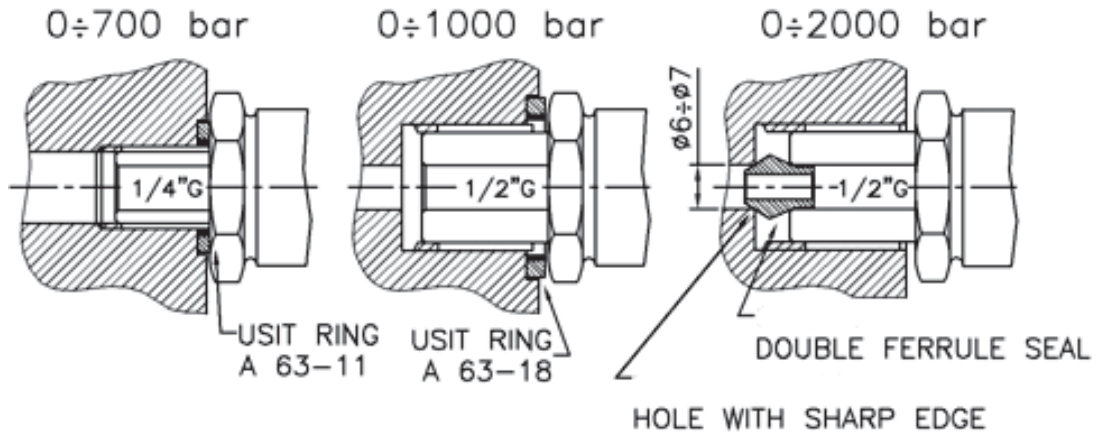
Tel.: +45 98581444, Fax.: +45 98581866

E-mail: transducer@ntt.dk WEB: www.ntt.dk

* EARTH connected to transducer body.

Pressure Transducers *Type TP12*

Typical Installation:



Electrical connections:

4-20mA 2 or 3 wire from 1 - 50 bar.

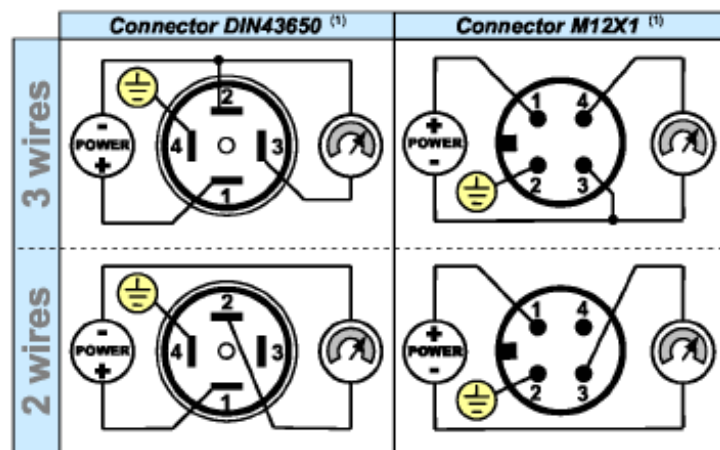
4-20mA 3 wire from 100 - 700 bar

0-5V or 0-10Volt 3 wire connection.

Power supply: 4-20mA & 0-5V 12-24VDC

0-10V & 0.5Bar & 1Bar 15-24VDC

Connectors: DIN 43650 as standard or as option M12



⁽¹⁾ Zero Adjustment is accessible by unscrewing the nut

Connected to transducer body



Nordic Transducer

Als Odde, DK-9560 Hadsund Denmark

Tel.: +45 98581444, Fax.: +45 98581866

E-mail: transducer@ntt.dk WEB: www.ntt.dk