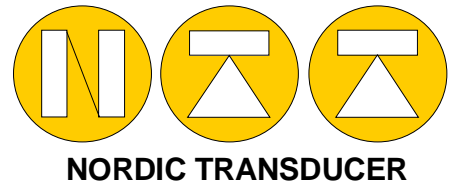


PE-1 Single point Load Cell. Low capacity



NOW ALSO FOR TENSION USE

The PE-1 is a single point load cell designed for direct mounting of a small weighing platform.

New type bracket can also be supplied for tension use made with preparation for mounting a overload stop is also made ready.

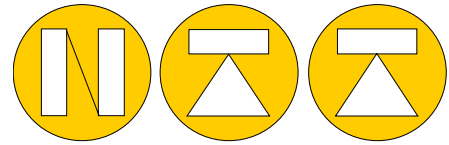
Custom made mounting holes can be supplied even at relative small order sizes.

SPECIFICATIONS PE-1:

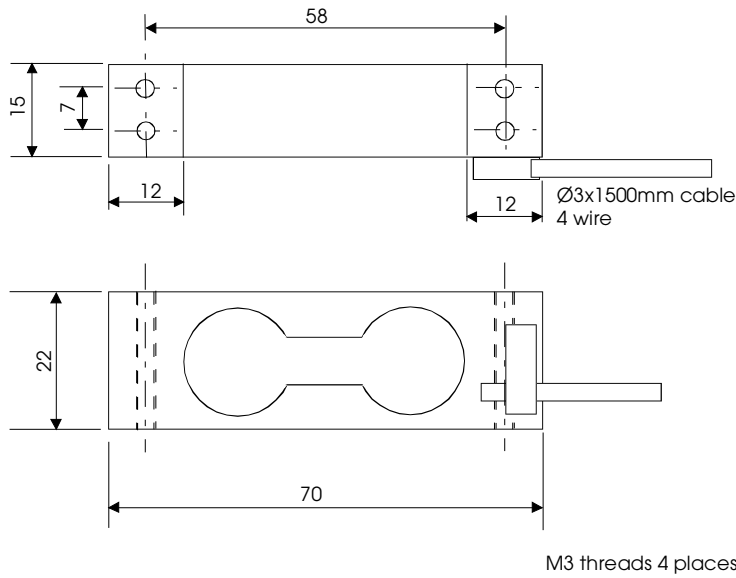
NOMINAL LOAD in kg	0.5, 1, 2, 3 kg		
Combined Error	< +/- 0.035% F.S.		
Non Linearity	< +/- 0.020% F.S.		
Hysteresis	< +/- 0.020% F.S.		
Non Repeatability	< +/- 0.020% F.S.		
Creep Error (30 Minutes)	< +/- 0.030% F.S.		
Temp. effect on zero	< +/- 0.025% F.S./10°C		
Temp. effect on sensitivity	< +/- 0.025% F.S./10°C		
NOMINAL SENSITIVITY	1mV/Volt +/-1%		
INPUT RESISTANCE	410 Ohm +/-10		
OUTPUT RESISTANCE	350 Ohm +/-3	DISPLACEMENT N.LOAD	< 0.4mm
SUPPLY VOLTAGE N.10V	2 - 15 Volt	PLATFORM SIZE 0.5kg	150x150mm
ZERO BALANCE	+/-2% F.S.	PLATFORM SIZE 1kg - 3kg	200x200mm
MECHANICAL LIMIT VALUES RELATED TO NOMINAL LOAD		NOMINAL TEMP. RANGE	-10/+40 °C
		STORAGE TEMP. RANGE	-10/+60 °C
a) minimum dead load	0%	PROTECTION CLASS	IP60
b) service load	100%	CELL MATERIAL Aluminium	Anodized
c) max. permissible load	150%	CABLE LENGTH	0.5kg 1.5m/1-3kg 2m
d) breaking load	>300%	FIXING SCREWS	
e) max. side load	100%	Load cell	M3
f) max. dynamic load	50%	Tension threads	M5

All specifications subject to change without notice

Dimensions in mm for: **PE-1 0.5kg to 3kg**



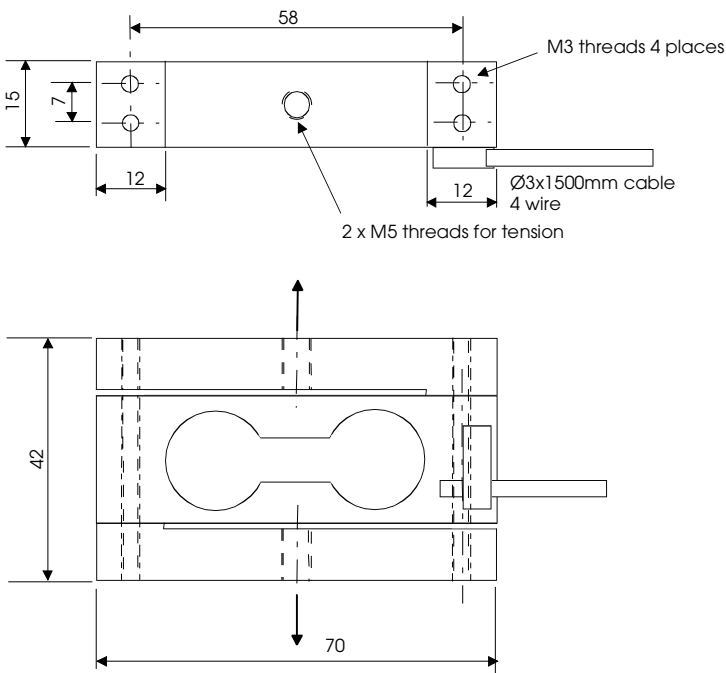
NORDIC TRANSDUCER



Wiring:

- Red: +Excitation
- Black: - Excitation
- Green: + Signal
- White: - Signal

TENSION KIT FOR PE-1



Supplied with 2 threaded holes on each side, which you can use for mounting your own overload stop.



Shown with 2 Rod end bearings which is a option to the tension kit.