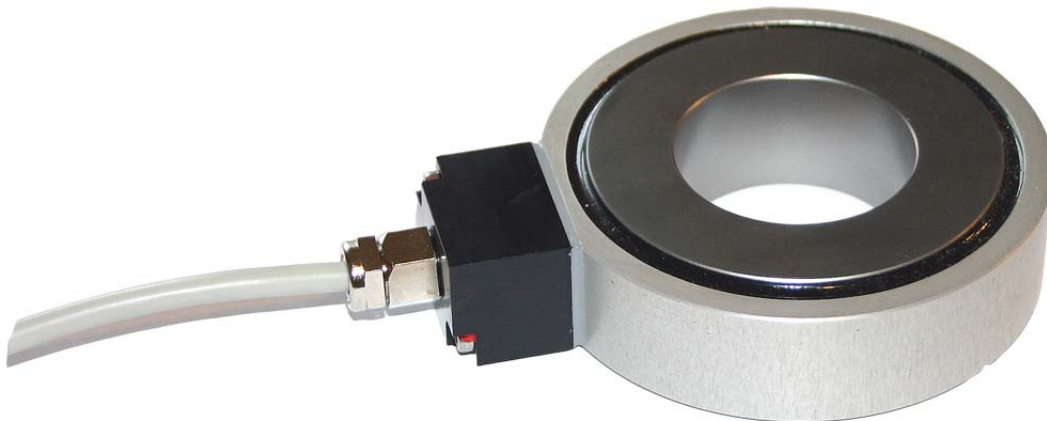


## 4..20mA 2 wire for M36 bolts

**Typ K- 2660**

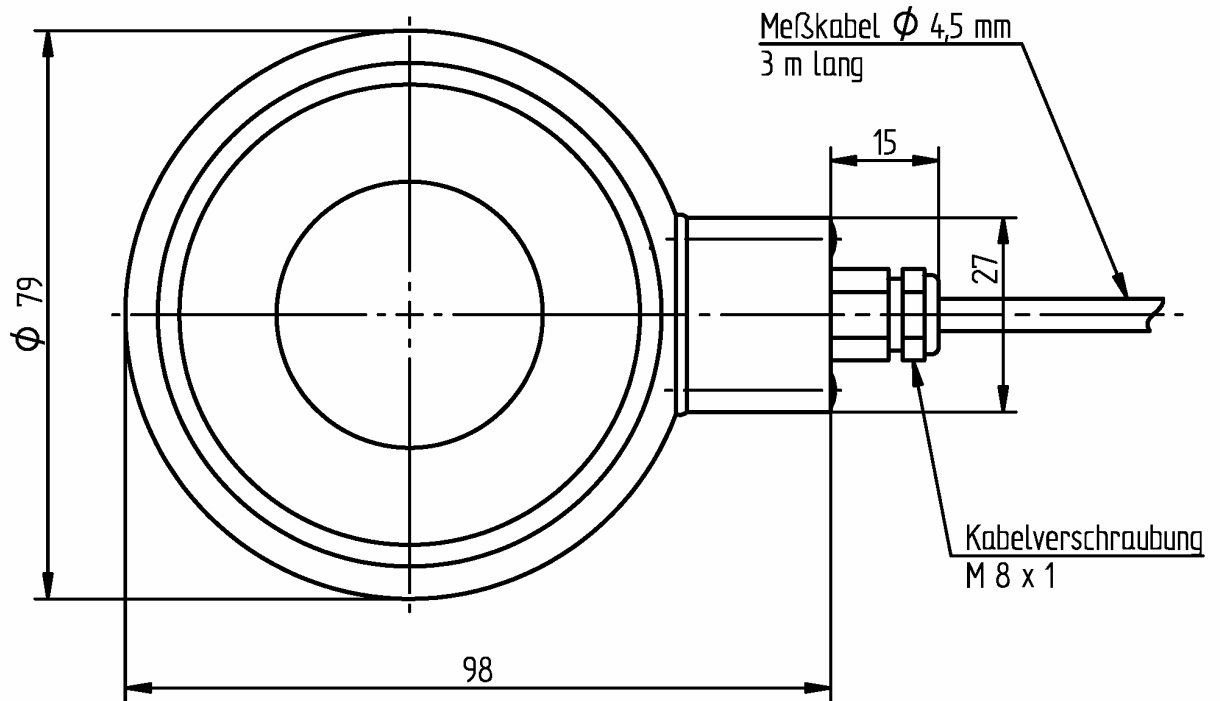
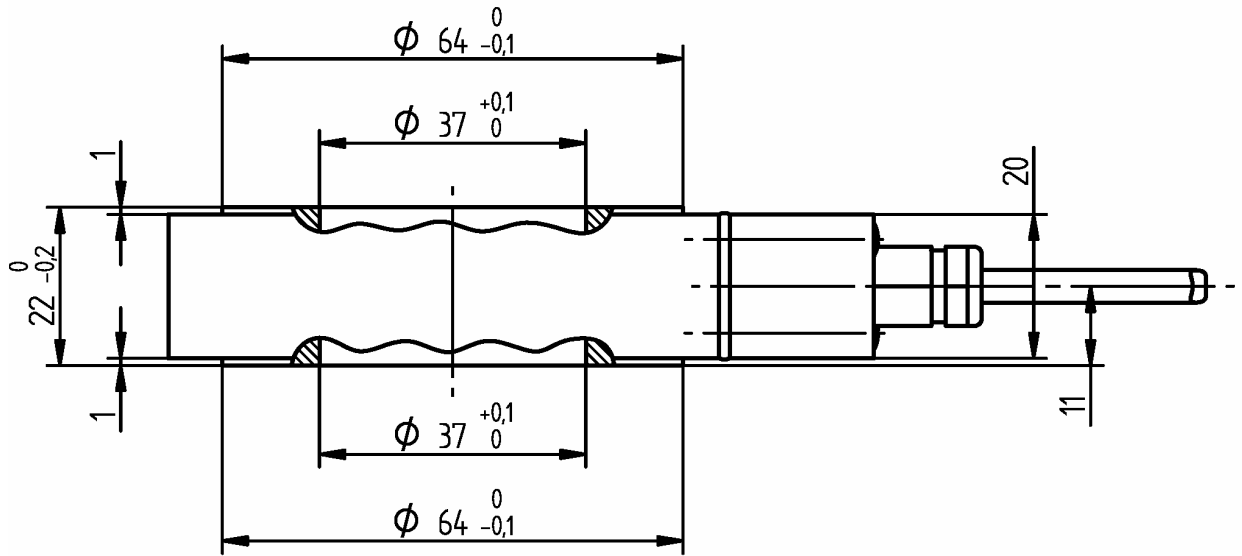
### Compression force transducer for measuring fastener screw clamping forces

- Stainless Steel measuring washer
- Outside ring protection made of aluminium
  
- Compression load cell for bolt forces  
capacity ranges 500 kN 750kN & 1000kN



#### Specifications

Type	K-2660	
Accuracy class	S%	1/3
Service load	S%	130
Limit load	S%	150
Ultimate load	S%	300
Max. dyn. load (DIN 50 100 )	S%	70
Position feedback	mm	<0,1
Load resistance	Ω	500
Insulation resistance	MΩ	>2000
Supply voltage	V	12...28
Max. supply voltage	V	30
Nominal signal	mA	20
Zero signal	mA	4 +/-0.1
Temp. coeff. of sensitivity	S%/10K	±0,3
Temp. coeff. of zero	S%/10K	±0,3
Referenztemperatur - reference temperature	°C	23
Nominal temp. range	°C	+5 ...+55
Service temp. range	°C	-10 ...+60
Storage temperature range	°C	-30+80
Linearity error, hysteresis error and non repeatability error: For measuring fastener clamping	S%	±3
For compression force measuring	S%	±1
Level of protection (DIN VDE 0470)	IP 65	
Material for compression part:	Stainless steel	
Cable	3 m, free wires	



Connection 2 wire 4..20mA	
Supply (0V)	green
Supply (+UB)	brown
Sign(+)	brown
shield	shield