

SMART

DMM

Digital pressure gauge

$\leq \pm 0.15\%$

Linearity - Hysteresis

CE

For highly dynamic stresses.

SIT certificate on request.



Standard indication

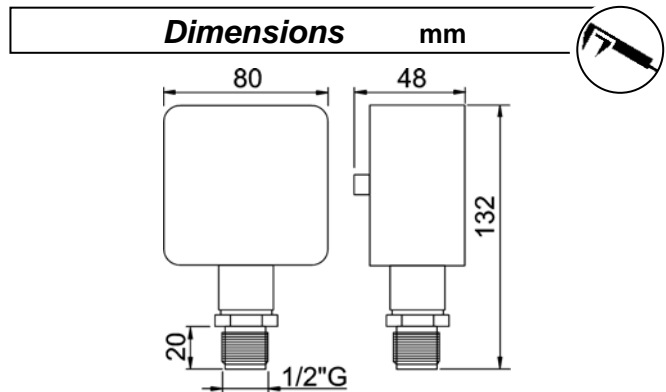
DMM is a microprocessor based digital pressure gauge that can operate with a maximum internal resolution of 99.999 divisions (full scale is pre-set, depending on specific customer's needs). In order to increase the level of integration among components, a combined (traditional and SMT) technology has been used, that makes this pressure gauge more resistant against mechanical stresses and vibrations, and guarantees maximum reliability for the circuit. This instrument is very versatile because of the possibility of transmitting and receiving data via RS-232C output, connected to a computer or an intelligent peripheral. Two digital SET POINTS with power relay are available and analogue outputs:

in voltage ± 5 V or ± 10 V
in current 0-20 / 4-20 mA

are possible as well. In particularly dynamic applications, a further increase in the stability of measurement is possible, for DMM is provided with a programmable digital filter.

Pressure	Display (bar)		Resol.
	Positive	Vacuum	
1 bar	1,000	-1,000	0,001
2,5 bar	2,500	-1,000	0,001
5 bar	5,000	-1,000	0,001
10 bar	10,000	/	0,002
20 bar	20,000	/	0,002
50 bar	50,00	/	0,01
100 bar	100,00	/	0,01
250 bar	250,00	/	0,02
350 bar	350,00	/	0,05
500 bar	500,0	/	0,1
700 bar	700,0	/	0,1
1000 bar	1000,0	/	0,1
1500 bar	1500,0	/	0,2
2000 bar	2000,0	/	0,5

- PROGRAMMABLE RESOLUTION
- PROGRAMMABLE DIGITAL FILTER
- PROGRAMMABLE BAUD RATE
- 2 PROGRAMMABLE SET POINTS AND HYSTERESIS
- ZERO FUNCTION (zero)
- PEAK FUNCTION (positive and negative)
- 2 RELAY OUTPUTS (2 set point)
- POWER SUPPLY 12Vdc OR 24Vdc
- REMOTE ZERO KEY INPUT
- REMOTE PEAK KEY INPUT
- RS-232 OUTPUT (optional)
- ANALOGUE OUTPUT (optional)
- BUILT-IN CASE (optional)



Technical Data



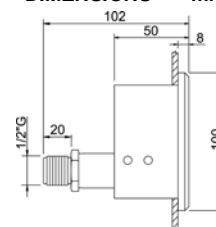
RELATIVE PRESSURE (R)	1 - 2.5 - 5 - 10 - 20 bar 50 - 100 - 250 - 350 - 500 bar 700 - 1000 - 1500 - 2000 bar
LINEARITY and HYSTERESIS	≤ ± 0.15 %
INTERNAL RESOLUTION	99.999 div.
READINGS PER SEC. (0 filter)	62.5 (16ms)
REFERENCE TEMPERATURE	+23°C
WORKING TEMPERATURE RANGE	-10/+70°C
STORAGE TEMPERATURE RANGE	-20/+80°C
TEMPERATURE EFFECT (1°C)	
a) on zero	≤ ± 0.002%
b) on sensitivity	≤ ± 0.002%
PROGRAMMABLE SET POINTS	2
PROGRAMMABLE HYSTERESIS	2
ZERO FUNCTION	100%
PROGRAMMABLE DIGITAL FILTER	0 ÷ 5
PROGRAMMABLE RESOLUTION	1, 2, 5, 10, 20, 50, 100
PROGRAMMABLE BAUD RATE	19200, 9600, 4800
PEAK FUNCTION	Pos. (+) and Neg. (-)
REMOTE COMMAND	Zero, Peak
RELAY OUTPUT (set point)	2
ELECTRICAL FEATURES	Max. 24 Vdc, 1A, Loading resistance
RED DISPLAY (high efficiency)	7 segments
DISPLAY HEIGHT	13 mm
NOMINAL RANGE VOLTAGE	12Vdc or 24Vdc
POWER SUPPLY RANGES	12Vdc: 10,8-15V 24Vdc: 18 -26V
MAX INPUT CURRENT	120mA
MECHANICAL LIMIT VALUES REFERRED TO NOMINAL PRESSURE :	
a) service pressure	100%
b) max. permissible pressure	150%
c) breaking pressure	>300%
d) high dynamic pressure	75%
STANDARD PROCESS COUPLING	1/2" Gas MASCHIO / BSP MALE
TIGHTENING WRENCH	27mm
TIGHTENING TORQUE	28Nm
PROTECTION CLASS (EN 60529)	IP40
SENSOR EXECUTION MATERIAL	INOX 17-4 PH
CASE EXECUTION MATERIAL	ALLUMINIO / ALUMINIUM
ELECTRICAL CONNECTION	tank SUB D 25 pole FEMALE

Options



ALUMINIUM BUILT-IN CASE.
HOLE GAUGE: 83 x 83 mm
PROTECTION CLASS (EN60529):
IP65 (front panel)

DIMENSIONS mm



External converter	AL/DMM (220Vac / 12Vdc)
Analogue Output	4-20mA, ±5V, ±10V*
Serial Output	RS-232C
Vacuum (V) range	(-1/+1) (-1/+2.5) (-1/+5) bar

* available only using 24Vdc power supply

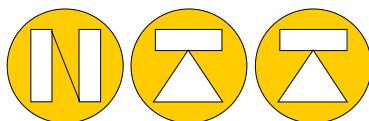
Digital pressure gauge :

Vacuum calibration :

Built-in housing:

External feeder :

TDMMRB	Analogue output	41	Nominal pressure			Serial output	
			C = ±5 V	1B	50B	700B	S=RS-232C
			E = ±10 V	2B5	100B	1KB	
			H = 4-20 mA	5B	250B	1KB5	
	10B	350B	2KB				
			20B	500B			



NORDIC TRANSDUCER

Als Odde DK-98560 Hadsund Denmark Tel. +45 98581444 Fax. +45 98581866

E-mail: transducer@ntt.dk Internet: <http://www.ntt.dk>



Dasa-Rägister
EN ISO 9001 (2000)
IQ-1100-01

Distributor:

In order to improve the technical performances of the product, the company reserves the right to make any change without notice.