



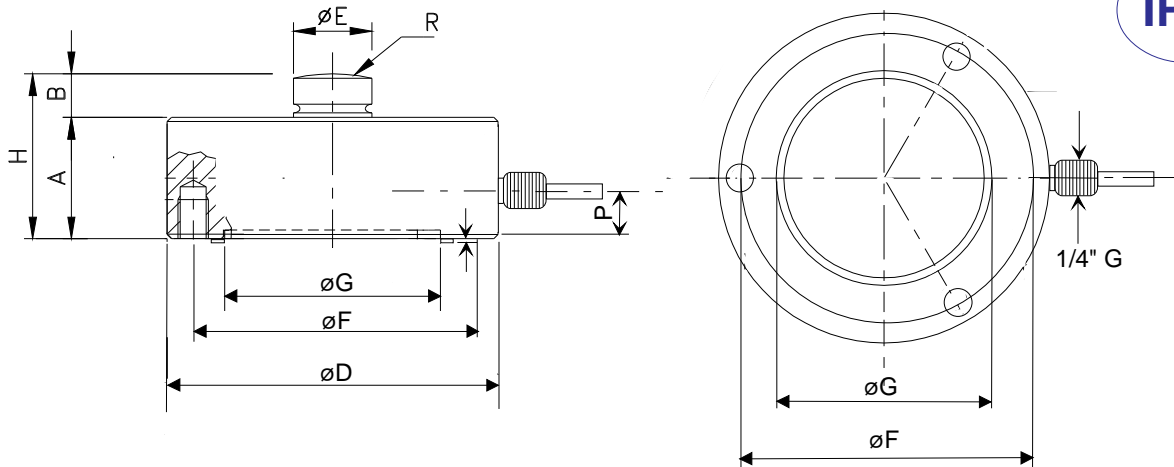
C-126-20t low profile load cell



SPECIFICATIONS: C-126-20T LOAD CELL:

NOMINAL LOAD	20t	a) minimum load	0%
MINIMUM RANGE	20%	b) service load	120%
COMBINED ERROR	< +/- 0.033%	c) max. permissible load	150%
NON REPEATABILITY	< +/- 0.011%	d) breaking load	>300%
ZERO DRIFT 30 MIN	< +/- 0.030%	e) max. side load	50%
TEMPERATURE EFFECT 10°C		f) max. dynamic load	50%
on zero	< +/- 0.050 %	DISPLACEMENT N. LOAD	0.16mm
on span	< +/- 0.030 %	NOMINAL TEMP. RANGE	- 10/+40 °C
NOMINAL SENSITIVITY +/-0.1%	2mV/Volt	SERVICE TEMP. RANGE	-20/+70 °C
INPUT RESISTANCE	700 Ohm +/-3	PROTECTION CLASS	IP68
OUTPUT RESISTANCE	700 Ohm +/-3	WEIGHT	3.8 kg
ZERO BALANCE	+/- 1%	CELL MATERIAL	Stainless steel
SUPPLY VOLTAGE N.10V	2 - 15 Volt	CABLE LENGTH	10 meter

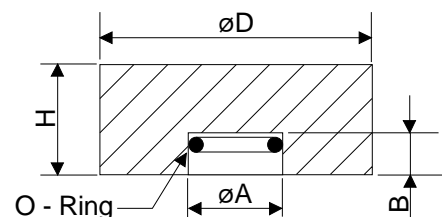
DIMENSIONS C-126-20t LOAD CELL:



CODE	LOADS	A	B	øD	øE	øF	øG	H	M	P	R
C-126	20	40	14	126	35	105	79.5	54	3xM12	14	160

A top load head can also be supplied for C-126-20t

CODE	LOADS	øD	H	øA	B
LH-35	20 ton	76	30	36	12



Als Odde, DK-9560 Hadsund Denmark
 Ph.: +45 98581444, Fax.: +45 98581866
 E-mail: ntt@ntt.dk WEB: www.ntt.dk